

TP6.0-1-00-00

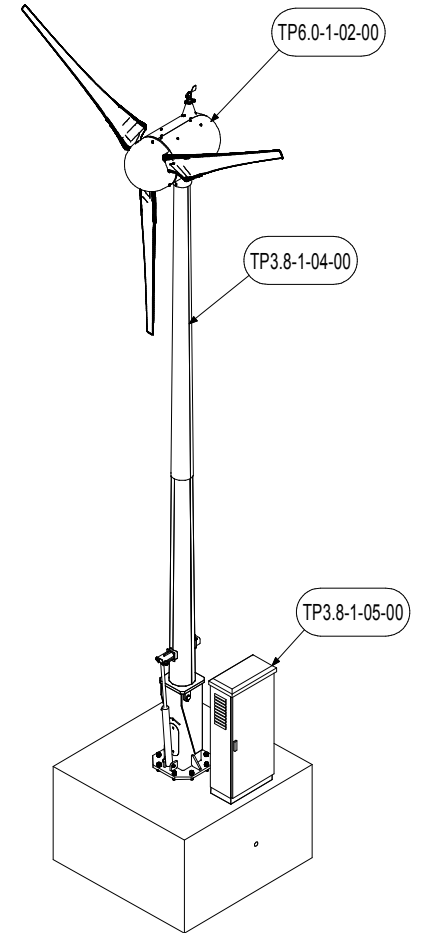
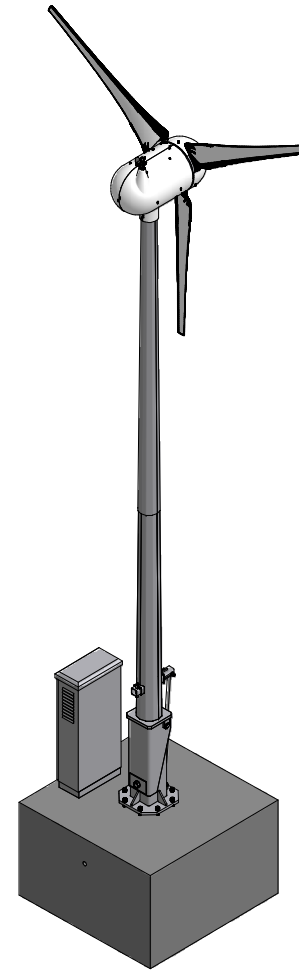
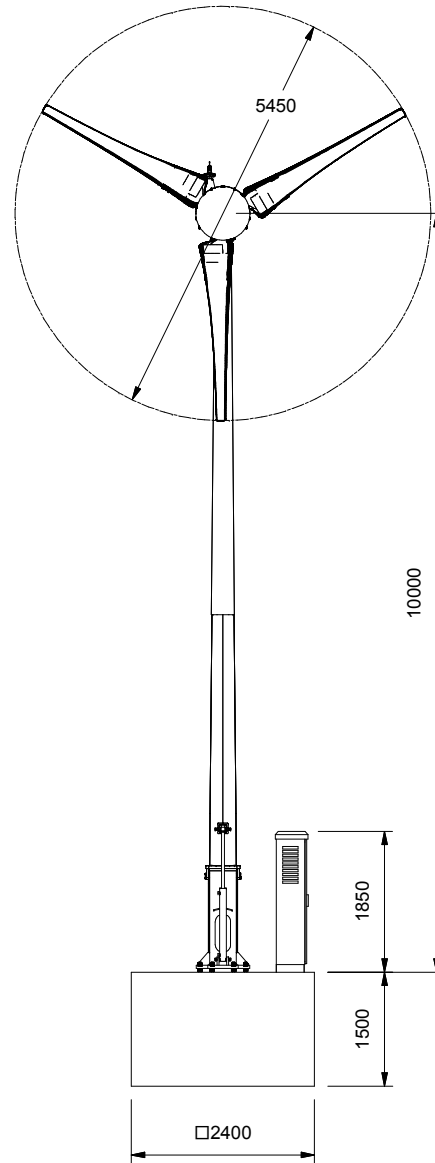
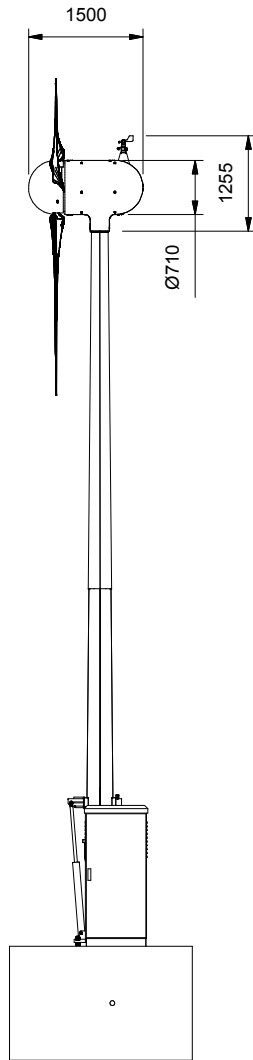
PART No.

IF IN DOUBT ASK

USED ON:

QTY/PRO:

MASS: 0 kg



A REV DATE 11.02.09 CM Initial Issue IF IN DOUBT ASK DO NOT SCALE This drawing and the copyright therein are the property of Low & Duff (Developments) Ltd. and all information which it contains is confidential. This drawing must not be reproduced or stored in any data retrieval system nor must any information taken therefrom be disclosed nor used for manufacture or any other purpose without the prior consent in writing of Low & Duff (Developments) Ltd.	INIT SUMMARY	ASSY TITLE: TP6.0-1 Wind Turbine (6kW)	SHEET 1 OF 1
	PRODUCT: TruPower 6.0-1	PRODUCT: TruPower 6.0-1	
	WELD THROAT THICKNESS TO BE EQUAL TO MINIMUM MATERIAL THICKNESS		PART NO. TP6.0-1-00-00
GENERAL TOLERANCE +0.2mm / ±1° U.O.N		Ladco Energy Systems Ltd KIRKTON IND EST, ARBROATH, DD8 3RD, SCOTLAND TEL +44 (0)1241 434 444 FAX +44 (0)1241 434 243	CAD DRAWING - DO NOT REVISE MANUALLY